

SPECIFICATION

50Hz

Rev. J

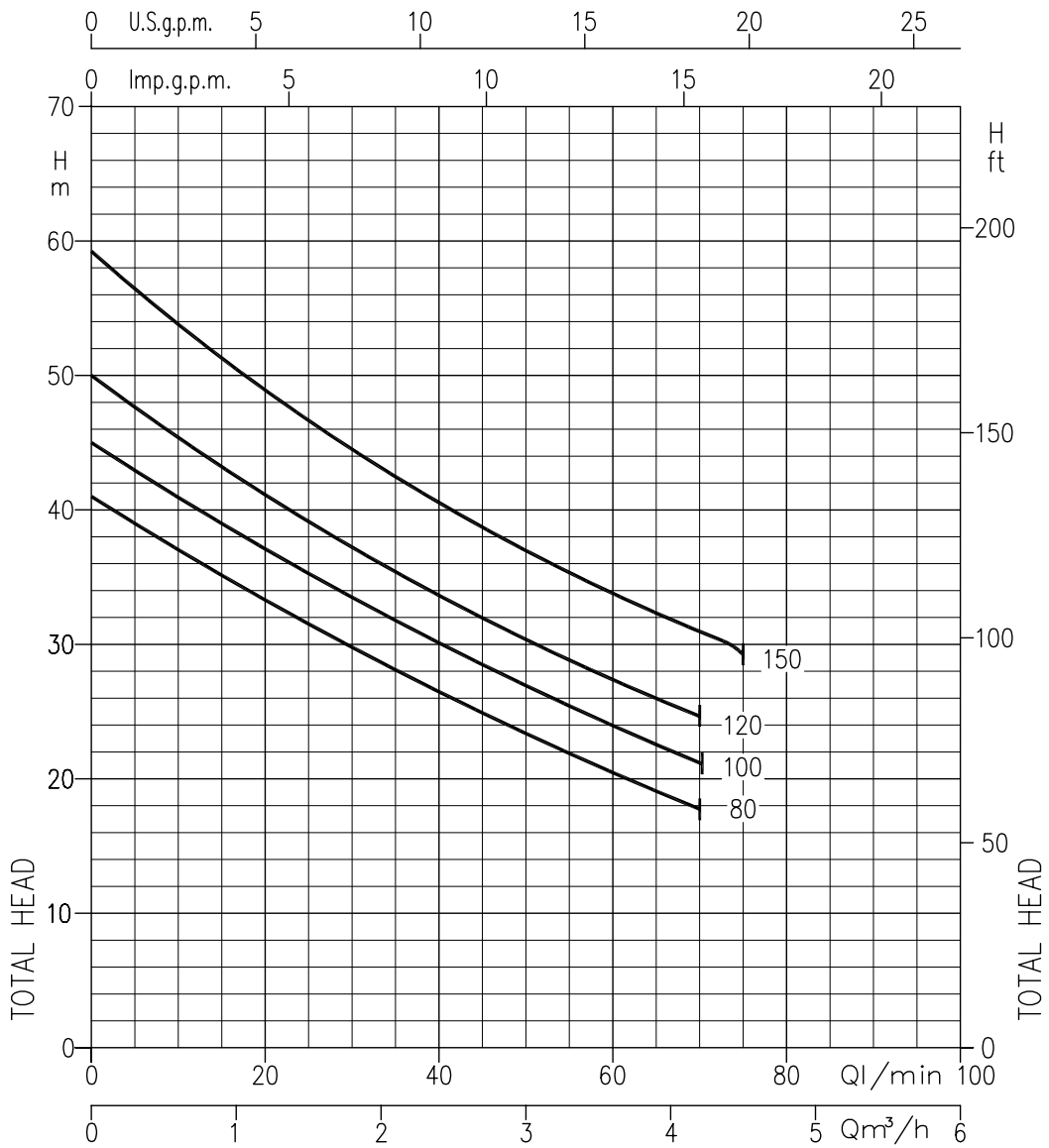
PUMP		
Liquid Handled	Type of liquid	Clean water
	Temperature [°C]	min. +5 max. +45
Maximum working pressure	[MPa]	0.6
Maximum suction depth	[m]	8
Construction	Impeller	Closed centrifugal type
	Shaft seal type	Mechanical seal
	Bearing	Sealed ball bearing
Pipe Connection	Suction [inch]	G 1¼ UNI ISO 228
	Discharge [inch]	G 1 UNI ISO 228
Material	Casing	AISI 304
	Impeller	AISI 304
	Shaft seal	Ceramic/Carbon/NBR
	Casing cover	AISI 304
	Shaft	AISI 303 (Wet extension)
	Bracket	Aluminium
	Ejector	PPE+PS glass fibre reinforced
Diffuser	PPE+PS glass fibre reinforced	
Applicable standard of test		ISO 9906 – Annex A

MOTOR		
Type	Electric - TEFC	
	Single Phase	Three Phase
Efficiency level (Reg. 1781/2019)	IE2	IE3
No. of Poles	2	
Rotation speed [min ⁻¹]	≈ 2800	
Insulation Class	F	
Protection degree (CEI EN 60034-5)	IP 54	
	IP 55 (on request)	
Power rating	[kW]	0.6 + 1.1
	[HP]	0.8 + 1.5
Frequency [Hz]	50	
Voltage [V]	230 ±10%	230/400 ±10%
Capacitor	Built in	-
Over load protection	Built in	Provided by the user
Casing material	Aluminium	
Base material / Motor support	Aluminium	
Dimensions of cable entry	PG11 - PG13.5 - M16x1.5 – M20x1.5 (see dimensions page 400)	

SELECTION CHART

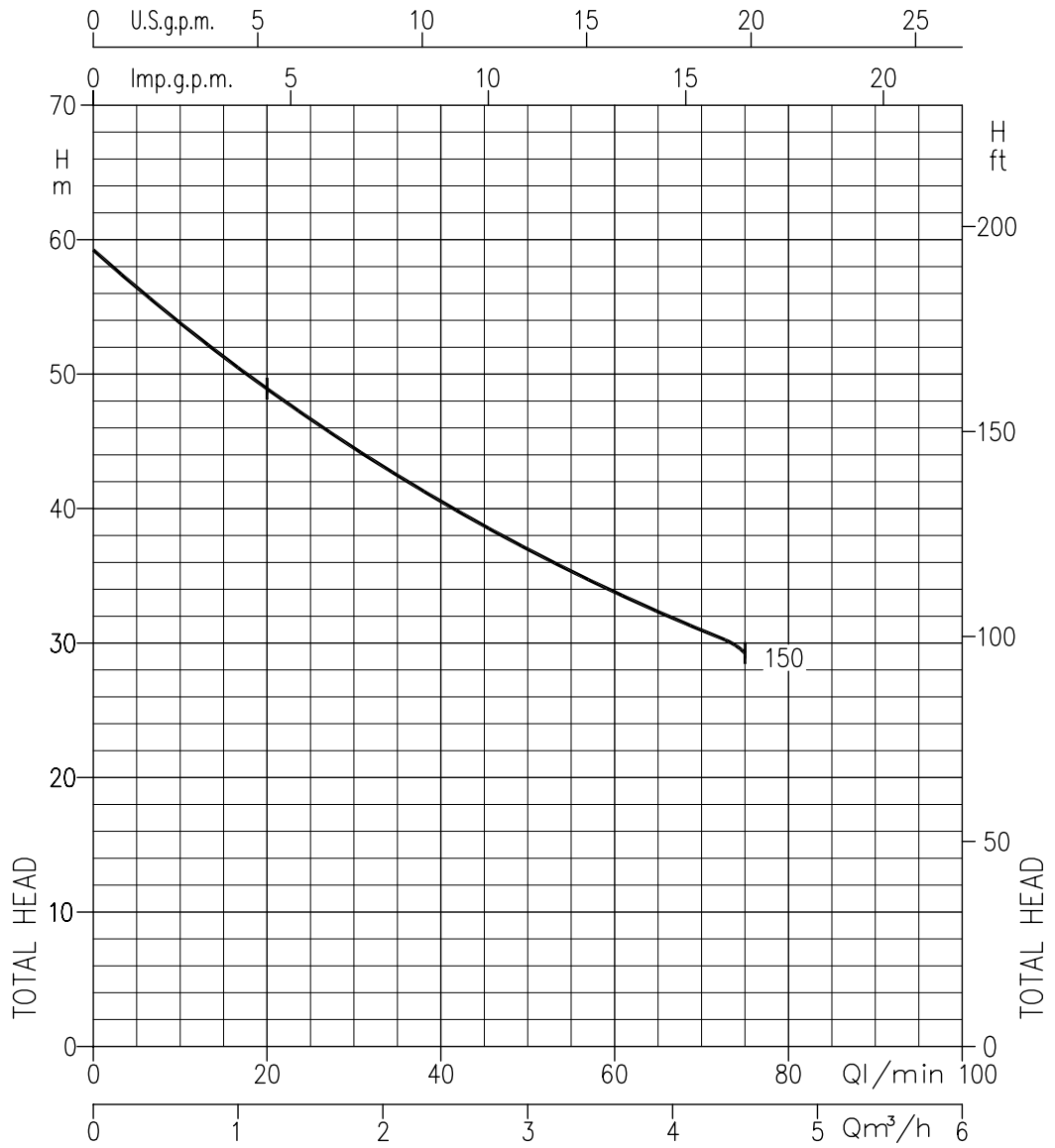
50Hz

Rev. J



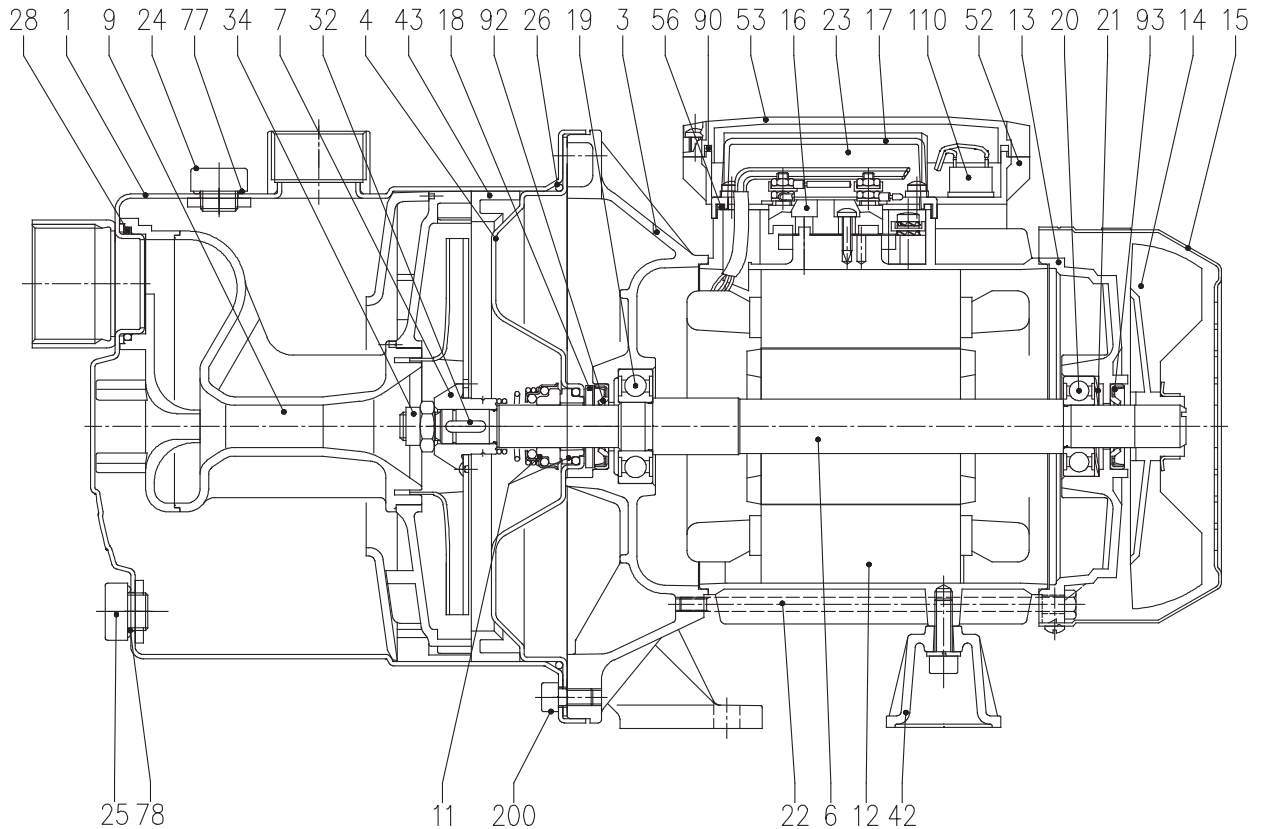
Pump type		Q=Capacity								
Single Phase	Three Phase	l/min	0	20	30	40	50	60	70	75
		m³/h	0	1,2	1,8	2,4	3	3,6	4,2	4,5
JEXM 80	JEX 80		41	33	29	26,5	23,5	20,5	18	-
JEXM 100	JEX 100		45	37	33,5	30	27	24	21	-
JEXM 120	JEX 120		50	41	37	34	30,5	27,5	24,5	-
JEXM 150	JEX 150		59	49	44,5	40,5	37	34	31	29,5

JEX 150 - Impeller diameter = 141 mm



Rotation speed \approx 2800 min⁻¹
Test standard: ISO 9906 – Annex A

SECTIONAL VIEW



N°	PART NAME	MATERIAL	Q.TY	N°	PART NAME	MATERIAL	Q.TY
1	Casing	AISI 304	1	24	Priming plug	PA	1
3	Motor bracket	Aluminium	1	25	Drain plug	PA	1
4	Casing cover	AISI 304	1	26	O-ring	NBR	1
6	Shaft with rotor	AISI 303 (Wet extension)	1	28	O-ring	NBR	1
7	Impeller	AISI 304	1	32	Key	AISI 304	1
9	Diffuser Venturi tube	PPE+PS glass fibre reinforced	1	34	Impeller nut	AISI 304	1
11	Mechanical seal	Carbon/Ceramic/NBR	1	42	Motor support	Aluminium	1
12	Motor frame with stator	-	1	43	Space diffuser	PPE+PS glass fibre reinforced	1
13	Motor cover	Aluminium	1	52	Capacitor box [1]	ABS class V-0	1
14	Fan	PA	1	53	Capacitor box cover [4]	ABS class V-0 [4]	1
15	Fan cover	Fe P04 Zincate	1	56	Box gasket	NBR	1
16	Terminal board	-	1	77	O-ring	NBR	1
17	Terminal box cover [2]	Aluminium	1	78	O-ring	NBR	1
18	Splash ring	NBR	1	90	Terminal box cover gasket [5]	NBR	1
19	Pump side ball bearing	-	1	92	Lip seal [3]	-	1
20	Fan side ball bearing	-	1	93	Lip seal [3]	-	1
21	Adjusting ring	Steel C70	1	110	Protector [1]	-	1
22	Tie rod	Fe 420 Zincate	4	200	Screw	Stainless steel A2 UNI7323	8
23	Capacitor [1]	-	1				

[1] Only for single phase

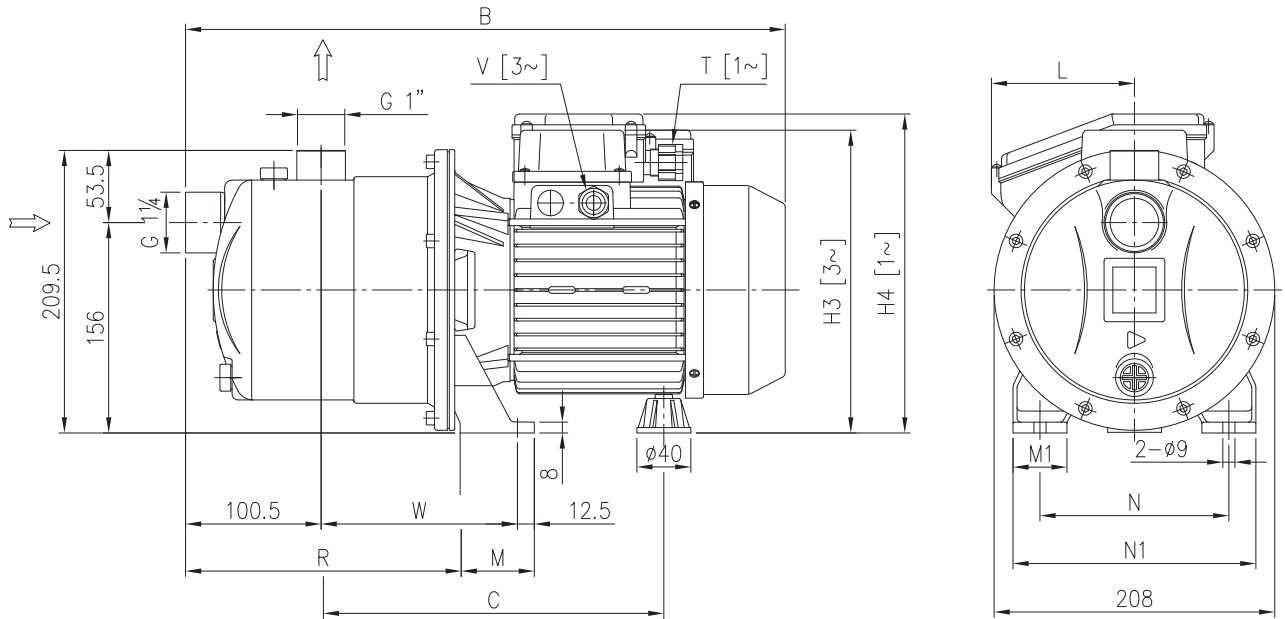
[2] Only for three phase

[3] Only for IP55

[4] Whit gasket in NBR only for version single phase JEX 80, 100, 120

[5] Only for JEXM 150 IP55

PUMP



Pump type	Dimensions in mm														Weight [kgf]	
	B [1~]	B [3~]	C	H3 [3~]	H4 [1~]	L [1~]	M	M1	N	N1	R	T [1~]	V [3~]	W	[1~]	[3~]
80	419	449	232,5	207,5	216	84	50	38	120	160	206,5	PG11	M16x1.5	143,5	10,2	11,7
100	431	419	232,5	207,5	216	84	50	38	120	160	206,5	PG11	M16x1.5	143,5	12	11,6
120	431	419	232,5	207,5	216	84	50	38	120	160	206,5	PG11	M16x1.5	143,5	12	11,6
150	470	469,5	254	224,5	236,5	106	55	40	140	180	203,5	PG13.5	M20x1.5	145,5	15,5	16,2

[1~] Single phase

[3~] Three phase

MOTOR DATA

Pump type Single Phase	Power		Efficiency [IE2 / IE3]	Capacitor		Efficiency (% load) and power factor				Input [kW]	Full load current		Locked rotor current	
	[kW]	[HP]		[μF]	[V]	cos-φ	η %				[A]		[A]	
					50%		75%	100%		110 V	230 V	110 V	230 V	
JEXM 80	0,75	1,0	IE2	25	450	61,0	70,8	79,2	0,93	0,95	-	4,4	-	24,0
JEXM 100	0,9	1,2	IE2	31,5	450	67,0	75,3	79,0	0,92	1,15	-	5,4	-	31,3
JEXM 120	0,9	1,2	IE2	31,5	450	67,0	75,3	79,0	0,92	1,15	-	5,4	-	31,3
JEXM 150	1,3	1,75	IE2	40	450	71,5	78,0	81,8	0,97	1,64	-	7,4	-	51,3

Pump type Three Phase	Power		Efficiency		Efficiency (% load) Three phase			Input [kW] Three Phase	Full load current		Locked rotor current	
	[kW]	[HP]	Single Phase	Three Phase	η %				[A] Three Phase		[A] Three Phase	
					50%	75%	100%	230 V	400 V	230 V	400 V	
JEX 80	0,6	0,8	-	IE3	80,2	82,8	82,9	0,97	3,0	1,7	20,5	11,8
JEX 100	0,75	1,0	-	IE3	80,9	82,3	82,1	0,91	3,0	1,7	19,7	11,4
JEX 120	0,88	1,2	-	IE3	80,9	82,3	82,1	0,91	3,0	1,7	19,7	11,4
JEX 150	1,1	1,5	-	IE3	83,0	85,8	85,6	1,77	5,8	3,3	47,4	27,4

NOISE DATA

Pump type		L _{pA} - dB(A) *
Single Phase	Three Phase	
JEXM 80	JEX 80	71
JEXM 100	JEX 100	
JEXM 120	JEX 120	
JEXM 150	JEX 150	76

* Mean value of several measures at 1m distance around
Tolerance ± 2.5 dB.