

PLURIJET 90X-130X-200X

TECHNOPOLYMER IMPELLERS

Self-priming multi-stage pumps

 Clean water

 Domestic use

 Civil use



PERFORMANCE RANGE

- Flow rate up to **200 l/min** (12 m³/h)
- Head up to **97 m**

APPLICATION LIMITS

- Manometric suction lift up to **9 m** (HS)
- Liquid temperature between **-10 °C** and **+40 °C**
- Ambient temperature up to **+40 °C**
- Max. working pressure **10 bar**
- Continuous service **S1**

CONSTRUCTION AND SAFETY STANDARDS

EN 60335-1
IEC 60335-1
CEI 61-150

EN 60034-1
IEC 60034-1
CEI 2-3



CERTIFICATIONS

Company with management system certified DNV
ISO 9001: QUALITY



INSTALLATION AND USE

The self-priming **PLURIJET** pumps are recommended for pumping clean water even in cases where air is present and for liquids which are not chemically aggressive towards the materials from which the pump is made.

Because of their silence, reliability and low energy consumption they are recommended for domestic and civil applications, in particular for pressurising and distributing water in combination with pressure tanks, for the recovery of rain water, for irrigation systems, etc.

Installation needs to be undertaken in well ventilated closed areas or anyway protected from bad weather.

PATENTS - TRADE MARKS - MODELS

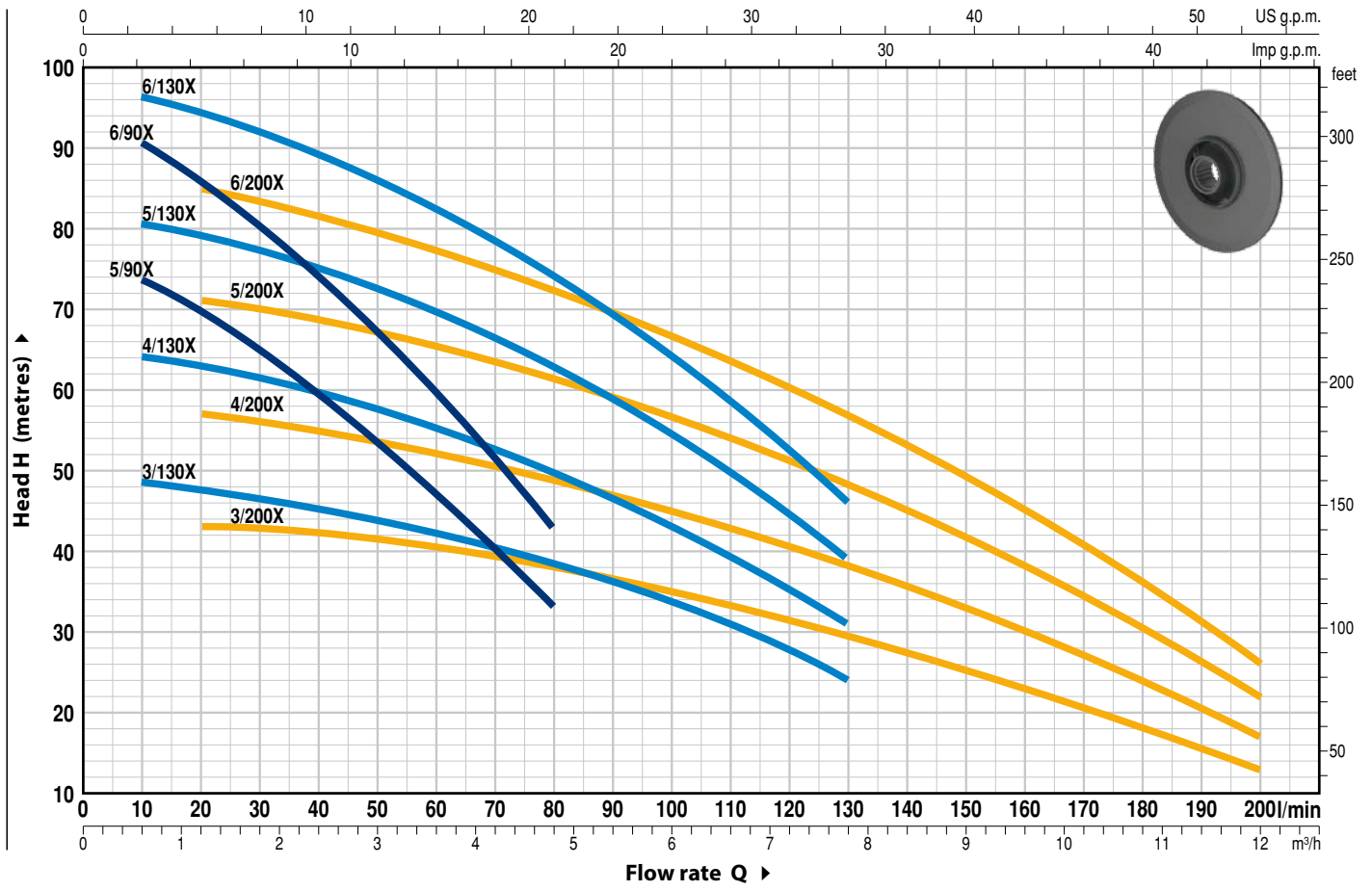
- Registered Trade Mark n. 3974301 PLURIJET®
- Patent n. EP14755156.8

OPTIONS AVAILABLE ON REQUEST

- Other voltages or 60 Hz frequency
- IPX5 class protection

CHARACTERISTIC CURVES AND PERFORMANCE DATA

50 Hz n = 2900 min⁻¹ HS = 0 m



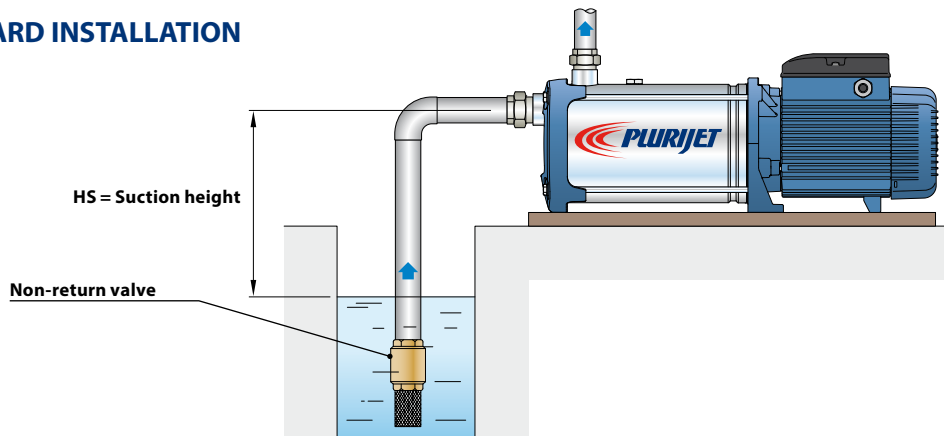
MODEL		POWER (P ₂)			Q	Flow rate (m³/h)													
Single-phase	Three-phase	kW	HP	▲		0	0.3	0.6	1.2	2.4	3.6	4.8	6.0	7.8	8.4	9.6	10.8	12.0	
						0	5	10	20	40	60	80	100	130	140	160	180	200	
PLURIJETm 5/90X	PLURIJET 5/90X	1.1	1.5	IE3	H metres	76	76	73.5	70	60.5	47	33							
PLURIJETm 6/90X	PLURIJET 6/90X	1.5	2			93	93	90.5	86	74.5	59.5	43							
PLURIJETm 3/130X	PLURIJET 3/130X	1.1	1.5			49	49	48.5	47.5	45	42.5	38.5	33.5	24					
PLURIJETm 4/130X	PLURIJET 4/130X	1.5	2			65	65	64	63	60	56	50	43	31					
PLURIJETm 5/130X	PLURIJET 5/130X	1.8	2.5			81	81	80.5	79	75	70	62.5	54	39					
-	PLURIJET 6/130X	2.2	3			97	97	96.5	94.5	90	83	74.5	64	46					
PLURIJETm 3/200X	PLURIJET 3/200X	1.1	1.5			44	43.5	43.5	43	42	40.5	38	35	29	27.5	23	18	13	
PLURIJETm 4/200X	PLURIJET 4/200X	1.5	2			58	57.5	57.5	57	55	52.5	49.5	45	38	35.5	30	24	17	
PLURIJETm 5/200X	PLURIJET 5/200X	1.8	2.5			73	72	71.5	71	69	65.5	62	56.5	48	44.5	38	30	22	
-	PLURIJET 6/200X	2.2	3			87	86	85.5	85	82	78	73	67	57	53	45	36	26	

Q = Flow rate H = Total manometric head HS = Suction height

Tolerance of characteristic curves in compliance with EN ISO 9906 Grade 3B.

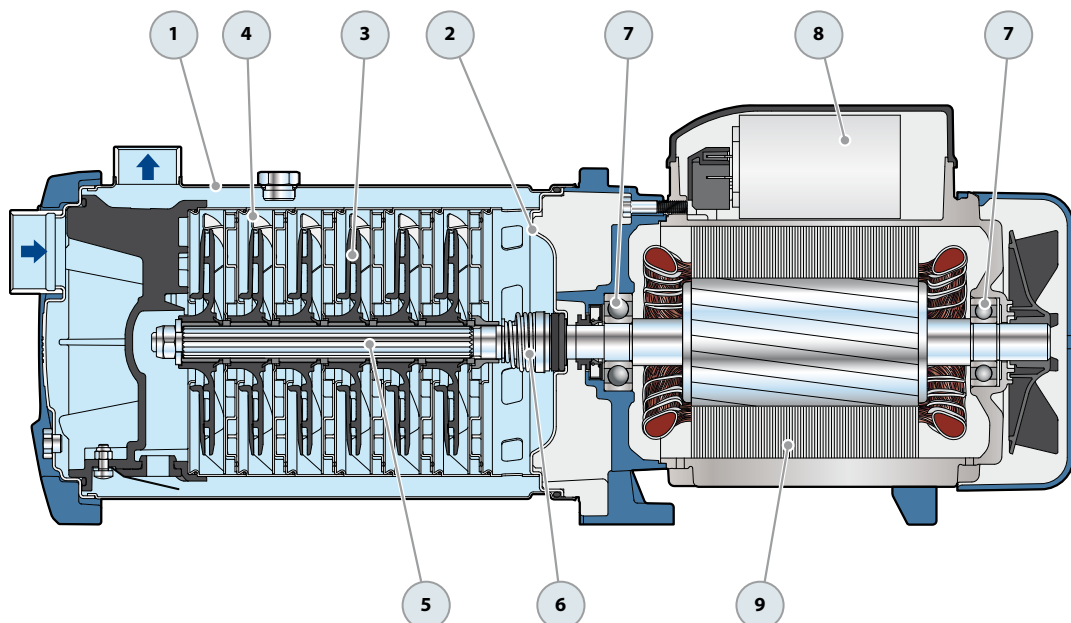
▲ Three-phase motor efficiency class (IEC 60034-30-1)

STANDARD INSTALLATION

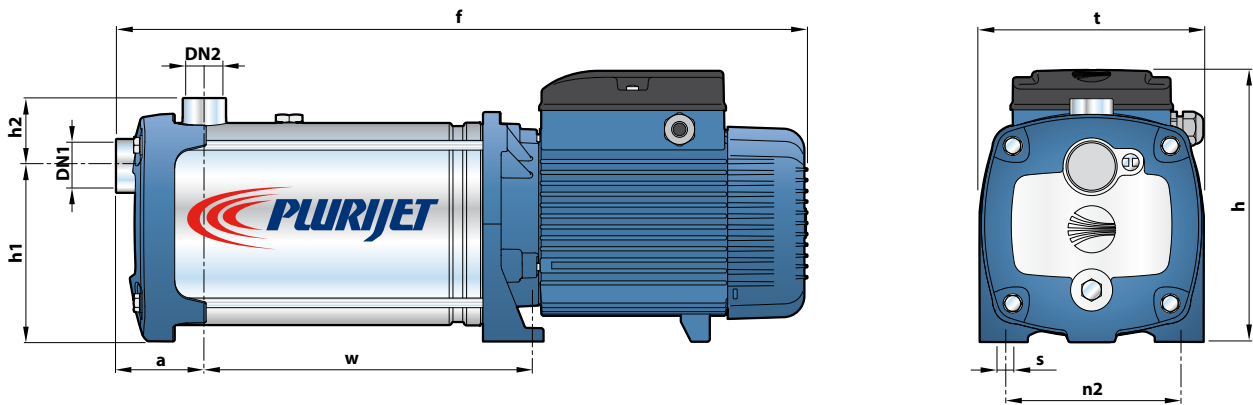


PLURIJET 90X-130X-200X

POS.	COMPONENT	CONSTRUCTION CHARACTERISTICS				
1	PUMP BODY	Stainless steel AISI 304 complete with threaded ports in compliance with ISO 228/1				
2	BODY BACKPLATE	Stainless steel AISI 304				
3	IMPELLERS	Noryl FE1520PW				
4	DIFFUSERS	Stainless steel AISI 304				
5	MOTOR SHAFT	Stainless steel AISI 431				
6	MECHANICAL SEAL	<i>Seal</i>	<i>Shaft</i>	<i>Materials</i>		
		<i>Model</i>	<i>Diameter</i>	<i>Stationary ring</i>	<i>Rotational ring</i>	<i>Elastomer</i>
		FN-18	Ø 18 mm	Graphite	Ceramic	NBR
7	BEARINGS	6304 2RS - C3 / 6204 ZZ - C3E				
8	CAPACITOR	<i>Pump</i>	<i>Capacitance</i>			
		<i>Single-phase</i>	(230 V or 240 V)	(110 V)		
		PLURIJETm 5/90X	31.5 µF - 450 VL	60 µF - 250 VL		
		PLURIJETm 3/130X				
		PLURIJETm 3/200X				
		PLURIJETm 6/90X	45 µF - 450 VL	80 µF - 250 VL		
PLURIJETm 4/130X						
PLURIJETm 4/200X						
PLURIJETm 5/130X	50 µF - 450 VL	-				
PLURIJETm 5/200X						
9	ELECTRIC MOTOR	<p>PLURIJETm: single-phase 230 V - 50 Hz with thermal overload protector incorporated into the winding.</p> <p>PLURIJET: three-phase 230/400 V - 50 Hz.</p> <p>⇒ The three-phase pumps are fitted with high performance motors in class IE3 (IEC 60034-30-1)</p> <ul style="list-style-type: none"> - Insulation: class F - Protection: IP X4 				



DIMENSIONS AND WEIGHT



MODEL		PORTS		DIMENSIONS mm									kg	
Single-phase	Three-phase	DN1	DN2	a	f	h	h1	h2	t	n2	w	s	1~	3~
PLURIJETm 5/90X	PLURIJET 5/90X	1¼"	1"	73	549	228	145	56	185	145	245	11	19.5	19.5
PLURIJETm 6/90X	PLURIJET 6/90X				575						271		21.4	20.2
PLURIJETm 3/130X	PLURIJET 3/130X				497						193		17.9	18.0
PLURIJETm 4/130X	PLURIJET 4/130X				523						219		19.8	19.8
PLURIJETm 5/130X	PLURIJET 5/130X				569						245		23.1	23.7
-	PLURIJET 6/130X				595						271		-	24.0
PLURIJETm 3/200X	PLURIJET 3/200X				497						193		17.9	18.0
PLURIJETm 4/200X	PLURIJET 4/200X				523						219		19.9	19.8
PLURIJETm 5/200X	PLURIJET 5/200X				569						245		23.2	23.7
-	PLURIJET 6/200X				595						271		-	24.0

ABSORPTION

MODEL	VOLTAGE		
	230 V	240 V	110 V
Single-phase	230 V	240 V	110 V
PLURIJETm 5/90X	9.3 A	9.0 A	18.6 A
PLURIJETm 6/90X	11.0 A	10.8 A	22.0 A
PLURIJETm 3/130X	8.5 A	8.3 A	17.0 A
PLURIJETm 4/130X	10.3 A	9.9 A	20.6 A
PLURIJETm 5/130X	12.5 A	12.0 A	-
PLURIJETm 3/200X	8.7 A	8.0 A	17.4 A
PLURIJETm 4/200X	10.5 A	10.1 A	21.0 A
PLURIJETm 5/200X	12.5 A	12.0 A	-

MODEL	VOLTAGE					
	230 V	400 V	690 V	240 V	415 V	720 V
Three-phase	230 V	400 V	690 V	240 V	415 V	720 V
PLURIJET 5/90X	6.1 A	3.5 A	2.0 A	5.9 A	3.4 A	1.9 A
PLURIJET 6/90X	7.3 A	4.2 A	2.4 A	6.9 A	4.0 A	2.3 A
PLURIJET 3/130X	5.6 A	3.2 A	1.8 A	5.4 A	3.1 A	1.8 A
PLURIJET 4/130X	6.9 A	4.0 A	2.3 A	6.6 A	3.8 A	2.2 A
PLURIJET 5/130X	9.0 A	5.2 A	3.0 A	8.6 A	5.0 A	2.9 A
PLURIJET6/130X	9.9 A	5.7 A	3.3 A	9.5 A	5.5 A	3.2 A
PLURIJET 3/200X	5.9 A	3.4 A	2.0 A	5.7 A	3.3 A	1.9 A
PLURIJET 4/200X	7.3 A	4.2 A	2.4 A	7.0 A	4.0 A	2.3 A
PLURIJET 5/200X	9.4 A	5.4 A	3.1 A	9.0 A	5.2 A	3.0 A
PLURIJET 6/200X	10.2 A	5.9 A	3.4 A	9.8 A	5.7 A	3.3 A